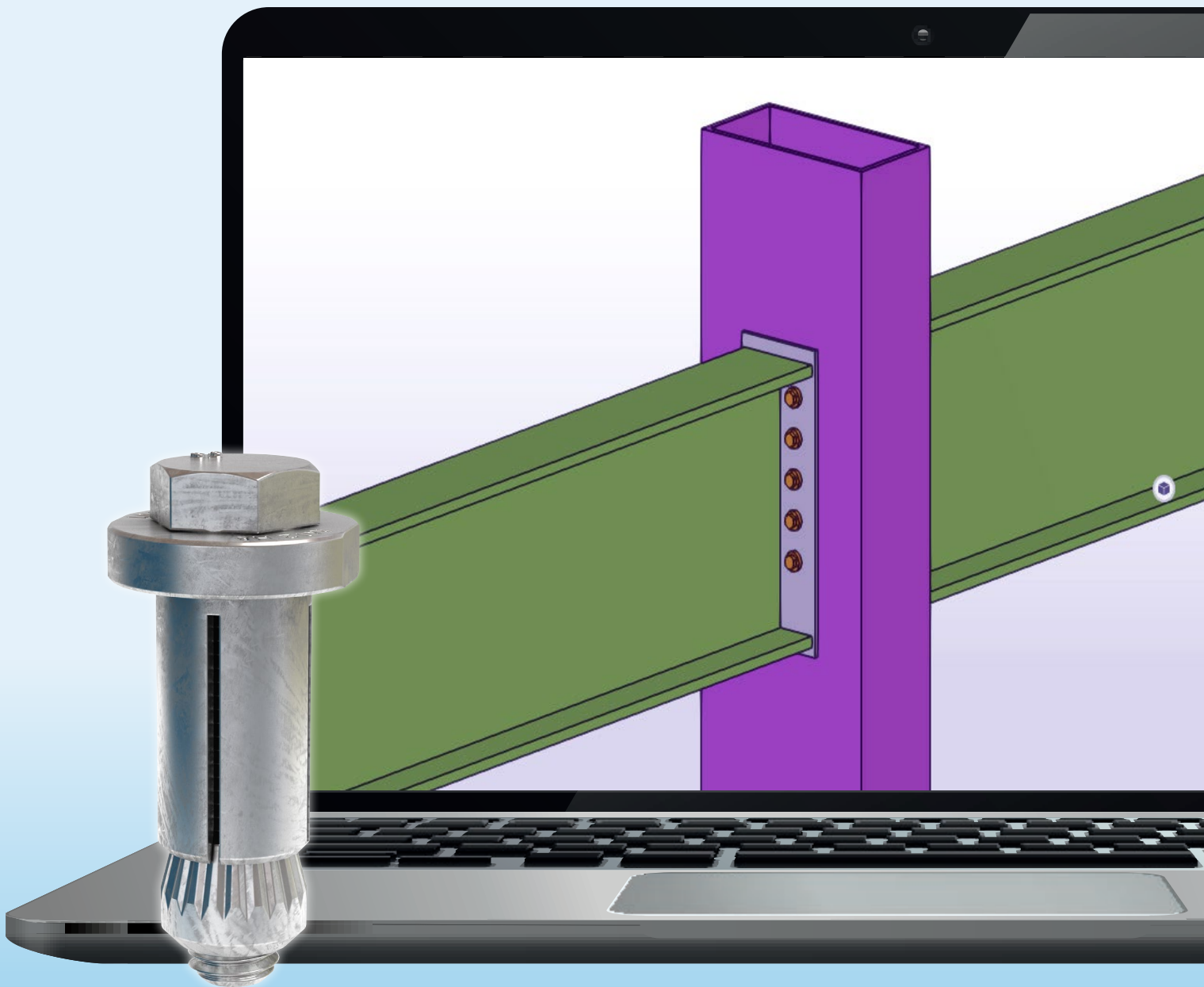


An Introduction to...



Plug-In Tool

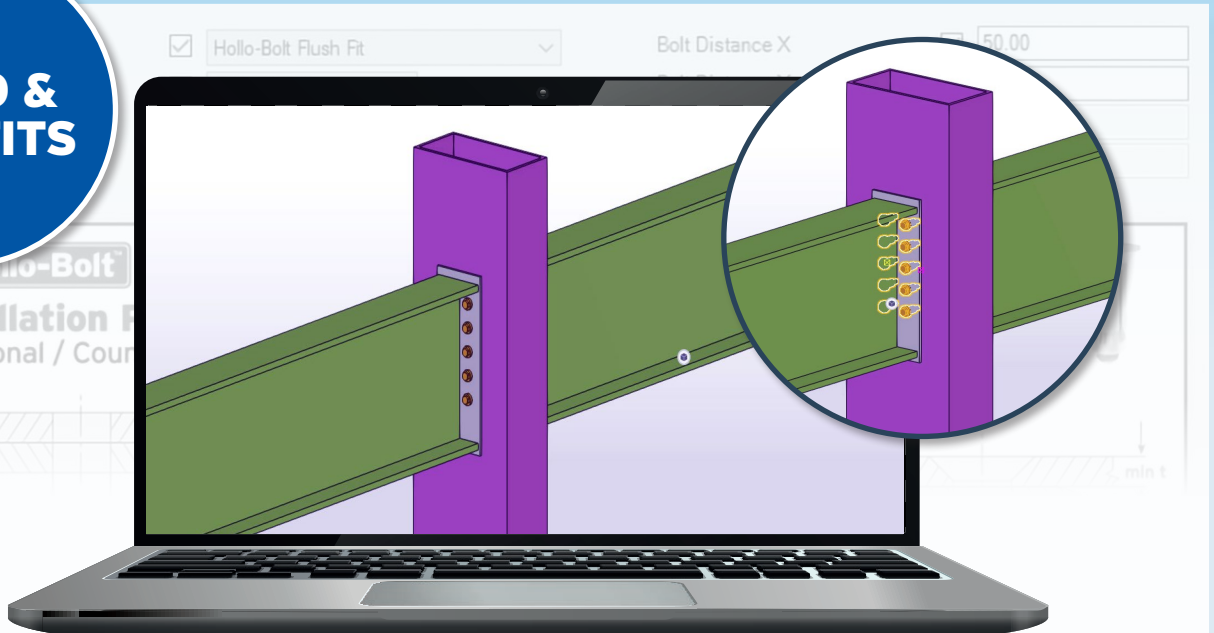
Available in  Tekla® Warehouse



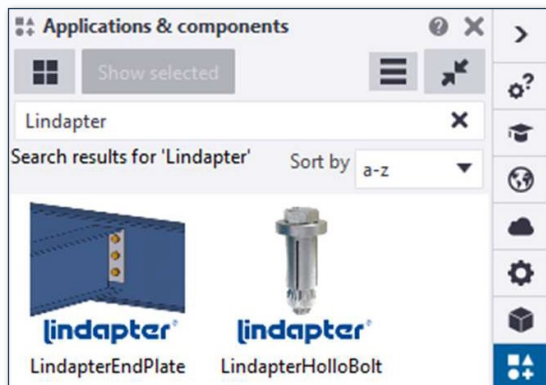
Hollo-Bolt® Plug-In Tool

Available in  Tekla Warehouse

INTRO & BENEFITS



Lindapter **'Bolt Add-on'** and **'Macro End Plate Connection'** have been developed in conjunction with Tekla Structures to offer an efficient, time saving, accurate method of detailing Hollo-Bolts, removing user error in specifying incorrect hole sizes and bolt specifications.



- English version containing metric and imperial measurement units, now available to download from Tekla Warehouse.
- Tekla users have access to the warehouse.
- Both the 'Bolt Add-on' and the 'Macro End Plate Connection' have been tested to work with Tekla versions 2021 and later.

✓ Ensures the correct sized holes are incorporated with supporting steelwork automatically, reducing the risk of user error in specifying the incorrect sized hole.

✓ Clear Technical Data is displayed on the screen making easy cross reference for the draughtsmen / detailer in relation to min/max hole centres, edge distances and hole sizes.

✓ Intelligent selective options automatically eliminates the bolts / finishes which are not available, for example Flush Fit Hollo-Bolts not available for selection in galvanised finish.

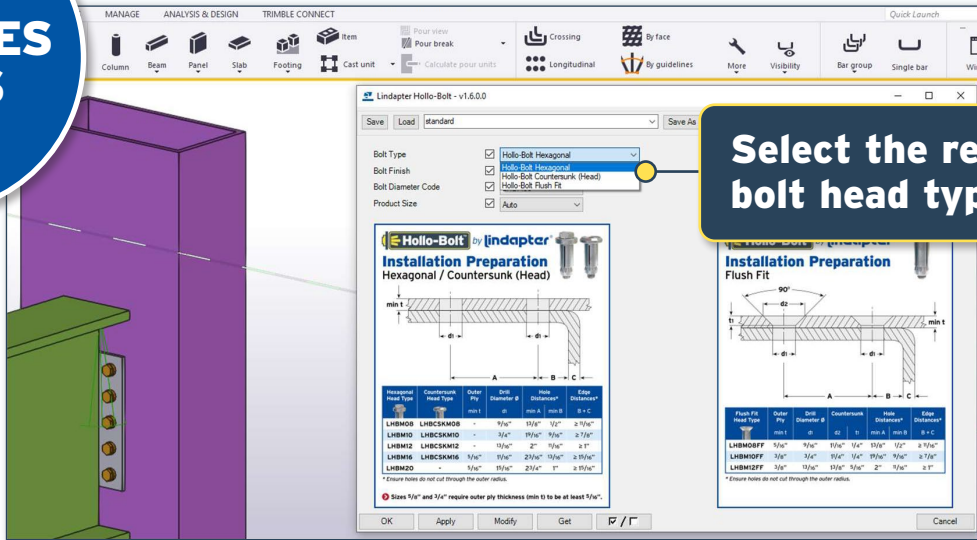
✓ As Hollo-Bolt are modelled with Tekla using the correct bolt reference, accurate reports can be generated from the model, removing user error, ensuring accurate ordering.

✓ IFC export from Tekla can be imported directly into BIM models such as Navisworks and Revit.

Hollo-Bolt® Plug-In Tool

Available in  Tekla Warehouse

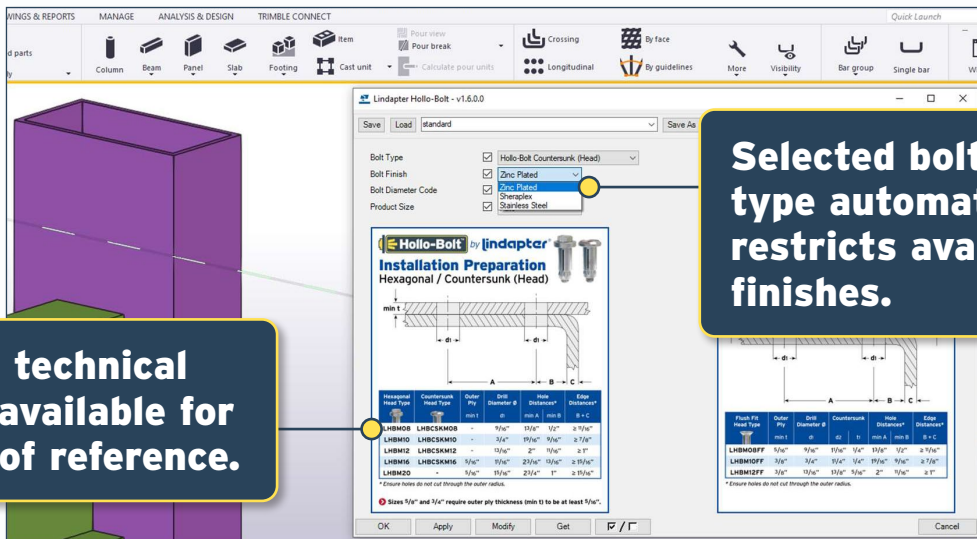
FEATURES & TIPS



Select the required bolt head type.

Bolt Type: Hollo-Bolt Hexagonal
 Hollo-Bolt Countersunk (Head)
 Hollo-Bolt Flush Fit

Hexagonal Head Type	Countersunk Head Type	Outer Ply	DRP Diameter Ø	Hole Diameter	Edge Distance*
mm	mm	mm	mm	mm	mm
LHBM08	LHBCSK08	-	19/8"	19/8"	2 7/8"
LHBM10	LHBCSK10	-	3/4"	19/8"	2 7/8"
LHBM12	LHBCSK12	-	5/8"	2"	3 1/8"
LHBM16	LHBCSK16	-	5/8"	2 3/8"	3 1/8"
LHBM20	-	-	5/8"	2 3/8"	3 1/8"

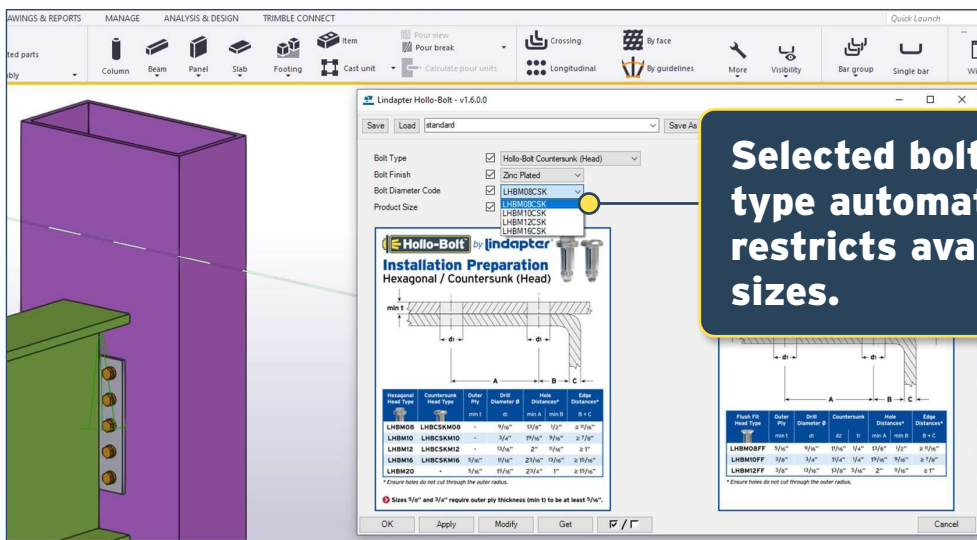


Selected bolt head type automatically restricts available finishes.

Bolt Finish: Zinc Plated
 Zinc Flated
 Sheraplex
 Stainless Steel

Clear technical data available for ease of reference.

Hexagonal Head Type	Countersunk Head Type	Outer Ply	DRP Diameter Ø	Hole Diameter	Edge Distance*
mm	mm	mm	mm	mm	mm
LHBM08	LHBCSK08	-	19/8"	19/8"	2 7/8"
LHBM10	LHBCSK10	-	3/4"	19/8"	2 7/8"
LHBM12	LHBCSK12	-	5/8"	2"	3 1/8"
LHBM16	LHBCSK16	-	5/8"	2 3/8"	3 1/8"
LHBM20	-	-	5/8"	2 3/8"	3 1/8"



Selected bolt head type automatically restricts available sizes.

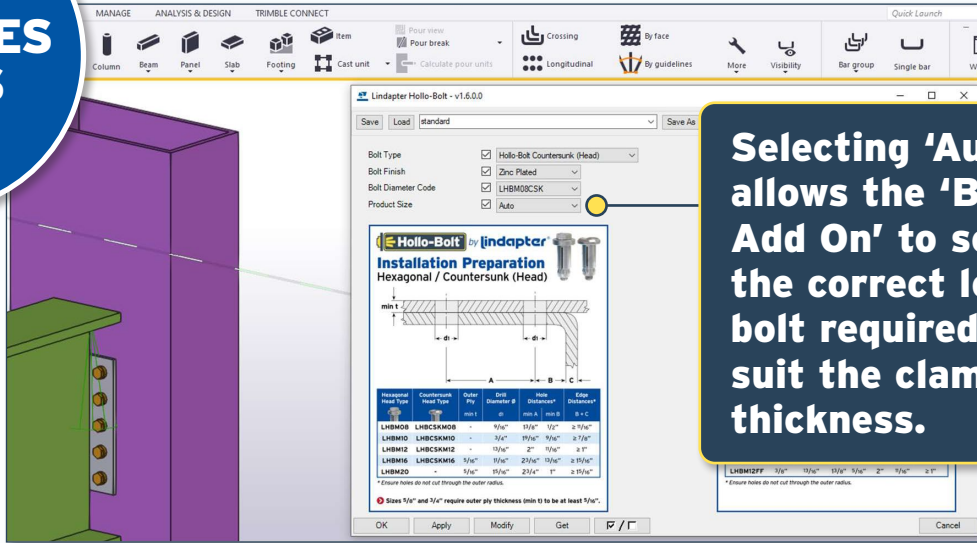
Bolt Diameter Code: LHBM08CSK
 LHBM10CSK
 LHBM12CSK
 LHBM16CSK
 LHBM20CSK

Hexagonal Head Type	Countersunk Head Type	Outer Ply	DRP Diameter Ø	Hole Diameter	Edge Distance*
mm	mm	mm	mm	mm	mm
LHBM08	LHBCSK08	-	19/8"	19/8"	2 7/8"
LHBM10	LHBCSK10	-	3/4"	19/8"	2 7/8"
LHBM12	LHBCSK12	-	5/8"	2"	3 1/8"
LHBM16	LHBCSK16	-	5/8"	2 3/8"	3 1/8"
LHBM20	-	-	5/8"	2 3/8"	3 1/8"

Hollo-Bolt® Plug-In Tool

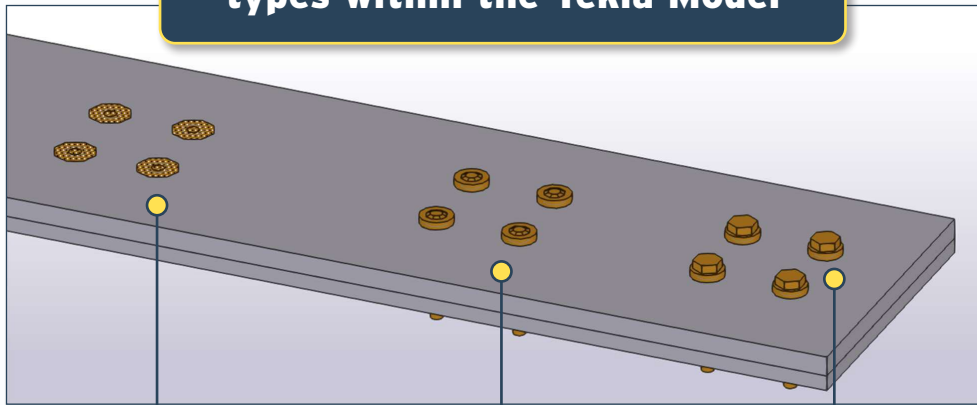
Available in  Tekla Warehouse

FEATURES & TIPS



Selecting 'Auto' allows the 'Bolt Add On' to select the correct length bolt required to suit the clamping thickness.

Accurate representation of head types within the Tekla Model



Flush Fit

Countersunk

Hexagonal

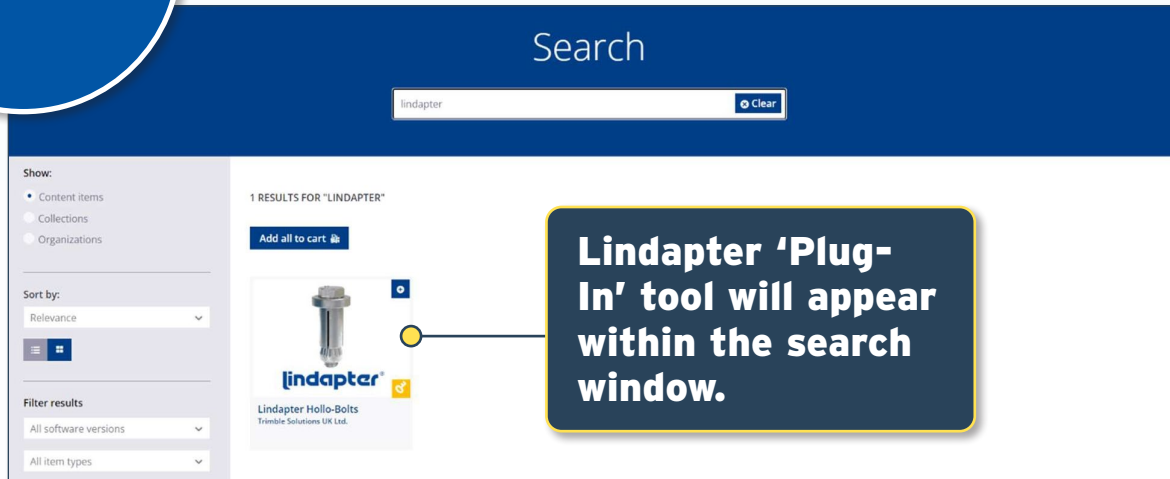


Hollo-Bolt® Plug-In Tool

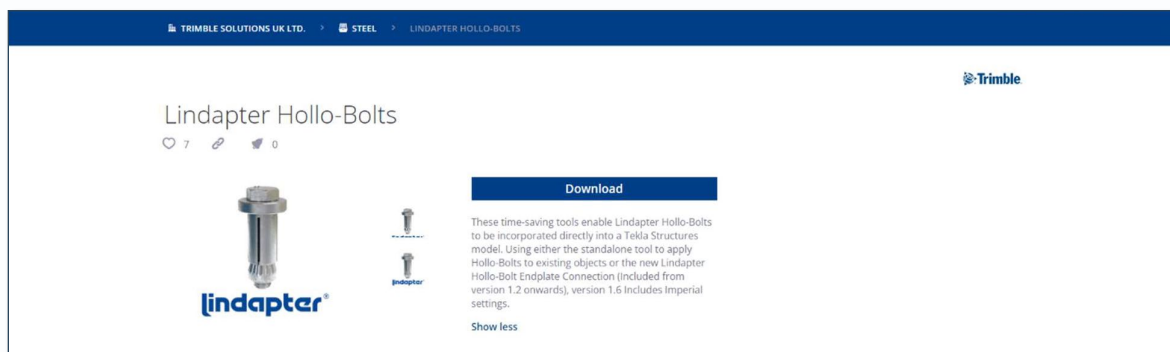
Available in  Tekla Warehouse

**DOWNLOAD
INSTRUCTIONS**

Log into the Tekla Warehouse and search for Lindapter in the search bar. All users of Tekla will have a log in to access the warehouse.

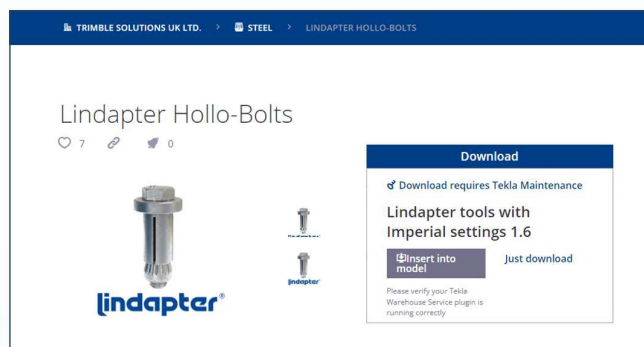


The above 'Plug-In' will appear. There is only one 'Plug-In' which includes both metric and imperial measurement units. When you select the 'Plug-In' you will be provided with the download option (see below).



Once you select download, the user will have the option to insert the 'Plug-In' to a model or simply download.

The measurement units that a user will see are determined by their local Tekla environment settings.



If you have any queries regarding the information above or the use of our Tekla 'Plug-In', please don't hesitate to email Steve Bell (UK Regional Sales Engineer):

steve.bell@lindapter.com