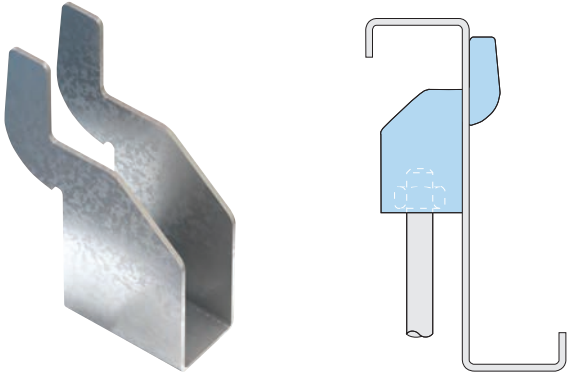


Type WF

The Webfix allows a quick installation directly from the web of Zed purlins.

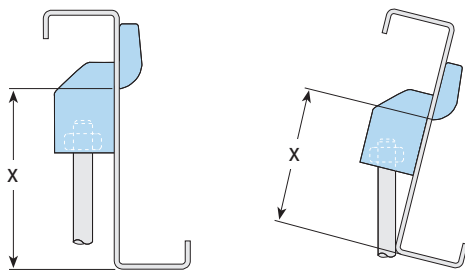


Material: Mild steel, zinc plated.

| Prod. Code | Rod | Safe Working Load (FOS 5:1) Tensile kN | Max. Purlin Thick. mm | Hole Ø mm | Max Distance X at Angle of | | |
|------------|-----|--|--------------------------|--------------|----------------------------|-----------|-----------|
| | | | | | 10° mm | 20° mm | 30° mm |
| WF10 | M10 | 1.0 | 4 | 18 | 103 | 94 | 74 |

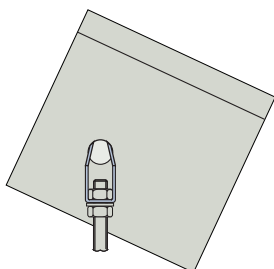
Hole Position for Canted Purlins

When purlins are connected to a sloping roof beam, the maximum allowable distance X (hole centre to bottom edge of the purlin) must decrease.



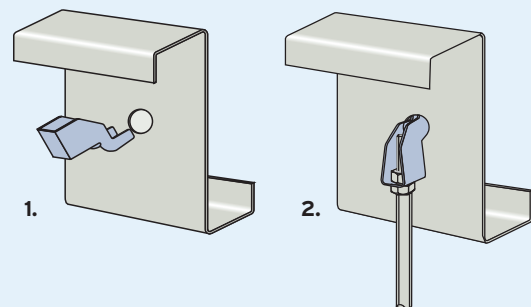
Hole Position of Inclined Purlin

Type WF adjusts to whatever angle is required. Hole position is not a limiting factor on product installation.



How to install...

- 1) Squeeze the legs of the Type WF together and push through the hole until it clicks into place.
- 2) Assemble with the nut, ensuring full thread capture.



GIRDER CLAMPS
 RAIL FIXINGS
 LIFTING POINTS
 HOLLO-BOLT
 FLOOR FIXINGS
 SUPPORT FIXINGS
 DECKING FIXINGS