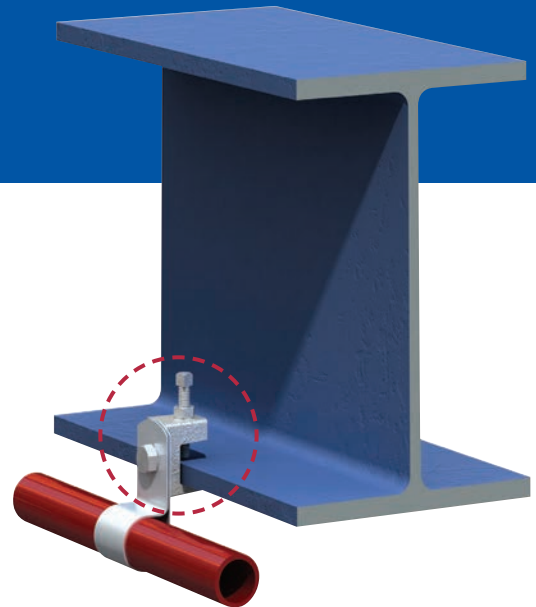
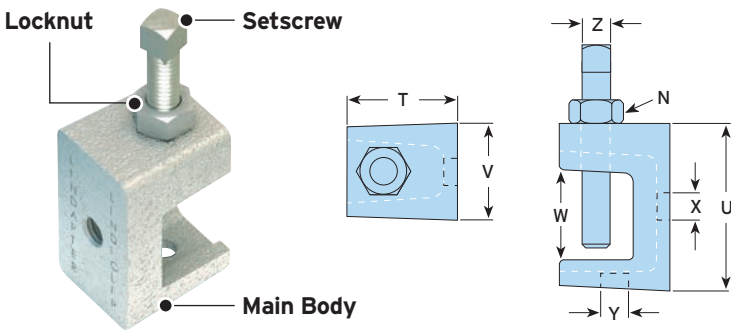


Type LC

A flange clamp for parallel or tapered flanges with tapped holes to accept threaded rod or cable clips. Supplied with a high tensile cup point setscrew.



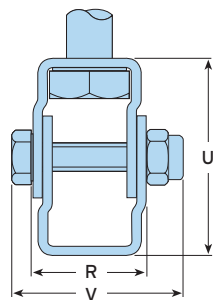
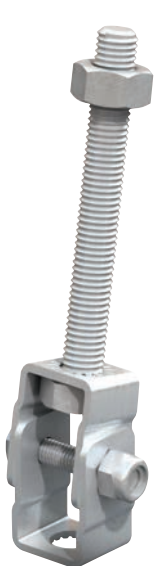
Material: Malleable iron, zinc plated.

▶ Installation is the same as Type FL (page 54).

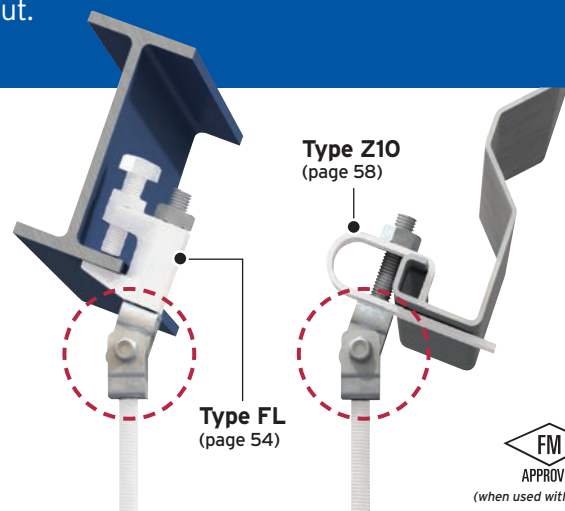
Product Code	Thread		Safe Working Load (FOS 4:1)			Clamping Range W mm	Setscrew Z	Tightening Torque		Dimensions		
	X	Y	Tensile in Position X kN	Tensile in Position Y kN	Setscrew Z Nm			Locknut N Nm	T mm	U mm	Width V mm	
LC06	M6	M6	0.18	0.59	3 - 20	M6	4	4	25	36	21	
LC08	M8	M8	0.18	0.59	3 - 20	M6	4	4	25	36	21	

Type SW

A swivel unit for applications on inclined beams complete with a M10 x 90mm (property class 8.8) setscrew and nut. Can be supplied with Type FL or Type Z10.



Material: High grade alloy steel, zinc plated.



Product Code	Rod	Safe Working Load (FOS 4:1)		Maximum Inclination	Rotation	Tightening Torque Nm	Dimensions		
		Tensile kN					U mm	R mm	Width with Bolt V mm
SW10	M10	2.4		18°	360°	11	45	25	35