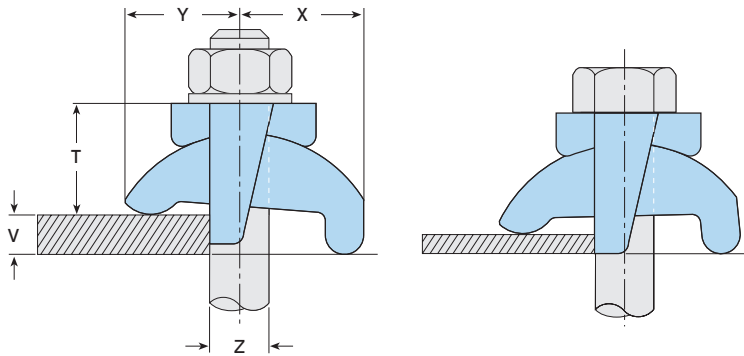
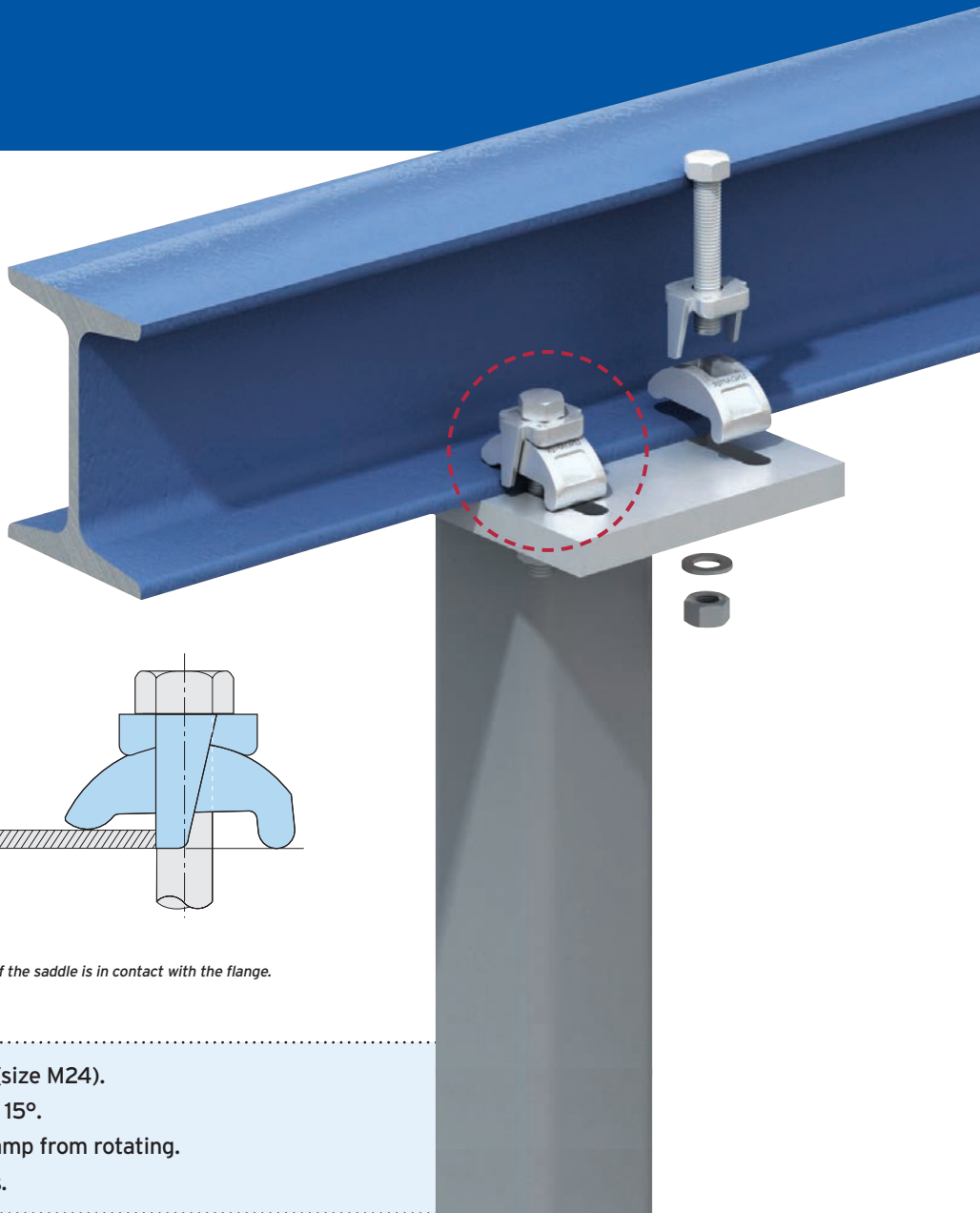
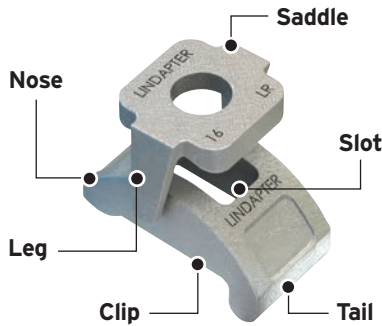


Type LR

A versatile, self-adjusting clamp designed to suit a range of flange thicknesses.



Note 1: When installing, ensure the straight (not tapered) leg of the saddle is in contact with the flange.
 Note 2: Y, X and T will vary depending on the thickness of V.

- Clamping ranges from 3mm - 24mm (size M24).
- For parallel and tapered flanges up to 15°.
- The leg of the saddle prevents the clamp from rotating.
- The tail spans slotted clearance holes.

- Packings are available to increase the clamping range, see page 20.
- Location plate / end plate details can be found on page 21.

Material: Malleable iron, zinc plated / hot dip galvanised.



Product Code	Bolt 8.8 Z	Safe Working Loads (FOS 5:1)			Clamping Range V mm	Dimensions			Width with Saddle mm
		Tensile / 1 Bolt kN	Slip / 2 Bolts kN	Tightening Torque* Nm		Y mm	X mm	T mm	
LR10	M10	1.5	-	20	3 - 10	21 - 24	24 - 26	21 - 24	33
LR12	M12	5.8	0.7	69	3 - 12	26 - 29	25 - 31	25 - 29	39
LR16	M16	7.3	1.5	147	3 - 16	30 - 35	34 - 37	30 - 36	46
LR20	M20	14.7	3.0	285	3 - 20	42 - 49	46 - 51	41 - 48	57
LR24	M24	19.7	4.5	491	3 - 24	47 - 57	52 - 58	44 - 54	76

* Torque figures based on bolts / setscrews in an unlubricated condition. For further information on lubricated fasteners see page 70.

CE For Characteristic Resistances when designing a connection to Eurocode 3, please refer to DoP No.006 on the website www.Lindapter.com/About/CE

GIRDER CLAMPS
RAIL FIXINGS
LIFTING POINTS
HOLLO-BOLT
FLOOR FIXINGS
SUPPORT FIXINGS
DECKING FIXINGS

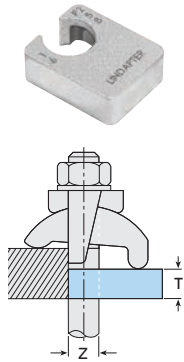
Packing Pieces for Types LR and D2

These packing pieces are compatible with the Types LR and D2 fixings and are used to increase the clamping range to suit a range of flange thicknesses. Please select the correct packing combination from the table below.

Packing Pieces

Type P1 long / Type P2 long

Mild steel, malleable iron, zinc plated / hot dip galv.

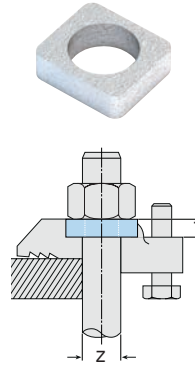


Product Code	Bolt Size Z	Dimension T (mm)
P1L10	M10	5
P1L12	M12	6
P1L16	M16	8
P1L20	M20	10
P1L24	M24	12
P2L10	M10	10
P2L12	M12	12
P2L16	M16	16
P2L20	M20	20
P2L24	M24	25

Also Available

Type W

Mild steel, zinc plated / hot dip galvanised.



Product Code	Bolt Size Z	Dimension T (mm)
W08	M8	4
W10	M10	5.5
W12	M12	6
W16	M16	8
W20	M20	10

Note: The Type W is used to fill the recess in the Type D2 to convert it into a flat top clamp to enable the bolt head or nut to be rotated.

Tail Length / Packing Combinations

Packing Combinations for Type LR (Parallel flanges only)

Combinations			Clamping Range				
LR	P1L	P2L	M10 mm	M12 mm	M16 mm	M20 mm	M24 mm
1	-	-	3 - 10	3 - 12	3 - 16	3 - 20	3 - 24
1	1	-	8 - 15	9 - 18	11 - 24	13 - 30	15 - 36
1	-	1	13 - 20	15 - 24	19 - 32	23 - 40	27 - 48
1	1	1	18 - 25	21 - 30	27 - 40	33 - 50	39 - 60
1	-	2	23 - 30	27 - 36	35 - 48	43 - 60	51 - 72
1	1	2	28 - 35	33 - 42	43 - 56	53 - 70	63 - 84
1	-	3	33 - 40	39 - 48	51 - 64	63 - 80	75 - 96

Packing Combinations for Type LR (For IPN-Beams of an 8° slope only)

IPN Profile mm	M10		M12		M16		M20		M24	
	LR	P1L P2L	LR	P1L P2L	LR	P1L P2L	LR	P1L P2L	LR	P1L P2L
80	1	- -	- -	- -	- -	- -	- -	- -	- -	- -
100	1	- -	1 -	- -	- -	- -	- -	- -	- -	- -
120	1	- -	1 -	- -	1 -	- -	- -	- -	- -	- -
140	1	- -	1 -	- -	1 -	- -	- -	- -	- -	- -
160	1	- -	1 -	- -	1 -	- -	1 -	- -	- -	- -
180	1	- -	1 -	- -	1 -	- -	1 -	- -	- -	- -
200	1	- -	1 -	- -	1 -	- -	1 -	- -	- -	- -
220	1	- -	1 -	- -	1 -	- -	1 -	- -	1 -	- -
240	1	1 -	1 -	- -	1 -	- -	1 -	- -	1 -	- -
260	1	1 -	1 -	- -	1 -	- -	1 -	- -	1 -	- -
280	1	1 -	1 1	- -	1 -	- -	1 -	- -	1 -	- -
300	1	1 -	1 1	- -	1 -	- -	1 -	- -	1 -	- -
320	1	1 -	1 1	- -	1 -	- -	1 -	- -	1 -	- -
340	1	1 -	1 1	- -	1 -	- -	1 -	- -	1 -	- -
360	1	- 1	1 1	- 1	1 -	- 1	- 1	- -	1 -	- -
380	1	- 1	1 1	- 1	1 -	- 1	- 1	- -	1 -	- -
400	1	- 1	1 1	- 1	1 -	- 1	- 1	- -	1 -	- -
425	1	- 1	1 1	- 1	1 -	- 1	- 1	- -	1 -	- -
450	1	- 1	1 1	- 1	1 -	- 1	- 1	- -	1 -	- -
475	1	1 1	1 1	- 1	1 -	- 1	- 1	- -	1 -	- -
500	1	1 1	1 1	- 1	1 -	- 1	- 1	- -	1 -	- -
550	1	1 1	1 1	1 1	- 1	- 1	- 1	- -	1 -	- -
600	-	- -	- 1	1 1	1 -	- 1	- 1	- -	1 -	- -

LR = Type LR P1L = Type P1 long P2L = Type P2 long

➔ For thicker flanges please contact Lindapter.

Packing Combinations for Type D2 (Parallel flanges and beams of up to 5° slope)

Combinations			Clamping Range			
D2	P1L	P2L	M10 mm	M12 mm	M16 mm	M20 mm
1 ¹⁾	-	-	5 - 10	5 - 10	6.5 - 13	8.5 - 17
1	-	-	10 - 20	10 - 22	13 - 20	17 - 24
1	1	-	15 - 25	16 - 28	21 - 28	27 - 34
1	-	1	20 - 30	22 - 34	29 - 36	37 - 44
1	1	1	25 - 35	28 - 40	37 - 44	47 - 54
1	-	2	30 - 40	34 - 46	45 - 52	57 - 64
1	1	2	35 - 45	40 - 52	53 - 60	67 - 74
1	-	3	40 - 50	46 - 58	61 - 68	77 - 84

1) Setscrew inverted.

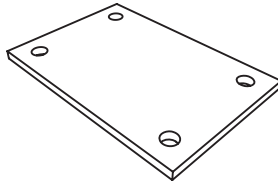
Location and End Plates for Types LR and D2

These plates ensure the clamps and bolts are located in the correct position relative to the supporting steelwork. If you would like help with choosing a suitable plate, please contact Lindapter.

Location Plate

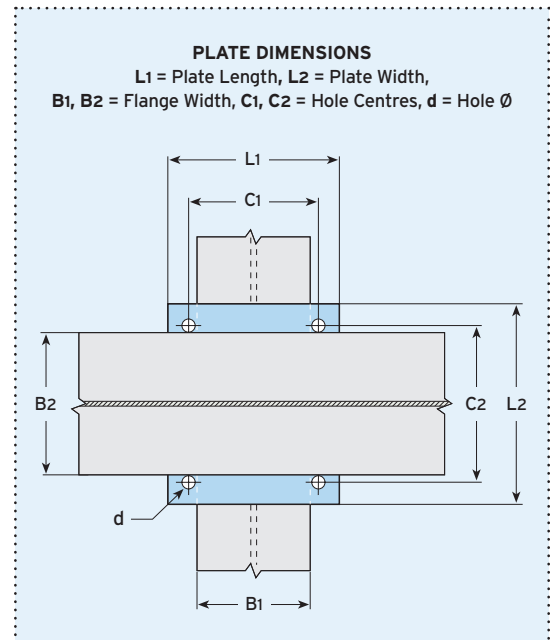
What is it?

Location plates are simple fabricated items designed to sit between the two sections to be clamped together to ensure the bolts are fixed at the correct centres.



Material: Structural steel grade S355 JR or JO.
For other grades contact Lindapter.

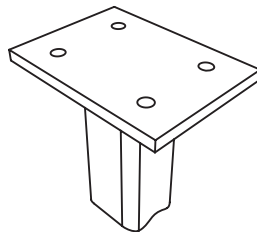
Bolt Size	Hole Ø d mm	Plate Thick. mm	Hole Centres C1 mm	Length / Width min L1 mm	Hole Centres C2 mm	Length / Width min L2 mm
M10	11	8	B1 + 11	B1 + 66	B2 + 11	B2 + 66
M12	14	10	B1 + 14	B1 + 81	B2 + 14	B2 + 81
M16	18	15	B1 + 18	B1 + 105	B2 + 18	B2 + 105
M20	22	20	B1 + 22	B1 + 132	B2 + 22	B2 + 132
M24	26	20	B1 + 26	B1 + 156	B2 + 26	B2 + 156



End Plate

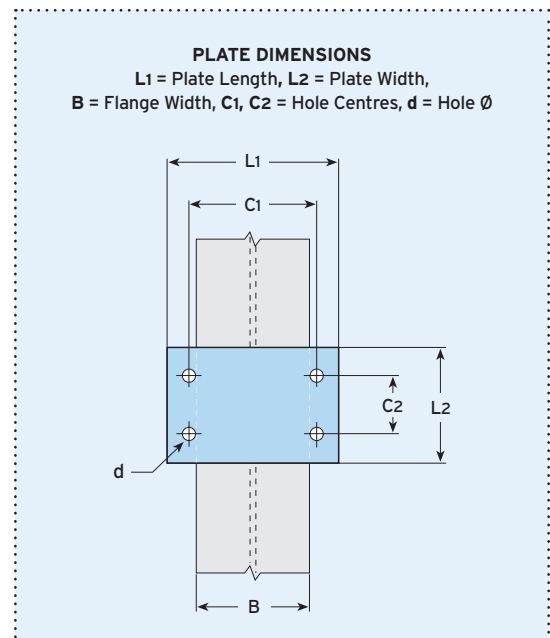
What is it?

End plates are simple fabricated items that are pre-welded to support frames, bracket or sections, allowing connection to the supporting structure with standard Lindapter clamps.



Material: Structural steel grade S355 JR or JO.
For other grades contact Lindapter.

Bolt Size	Hole Ø d mm	Plate Thick. ¹⁾ mm	Hole Centres C1 mm	Length min L1 mm	Hole Centres C2 mm	Width min L2 mm
M10	11	8	B + 11	B + 66	70	C2 + 50
M12	14	10	B + 14	B + 81	80	C2 + 60
M16	18	15	B + 18	B + 105	100	C2 + 70
M20	22	20	B + 22	B + 132	120	C2 + 90
M24	26	20	B + 26	B + 156	150	C2 + 110



1) Depending on the type of connection and associated end plate use, the thickness may need to be modified to comply with accepted local design codes.

- To calculate the bolt length, add up the total distance that the bolt will pass through, plus half of the bolt diameter. Then round up the total to the nearest available bolt length. An example can be found on page 6.