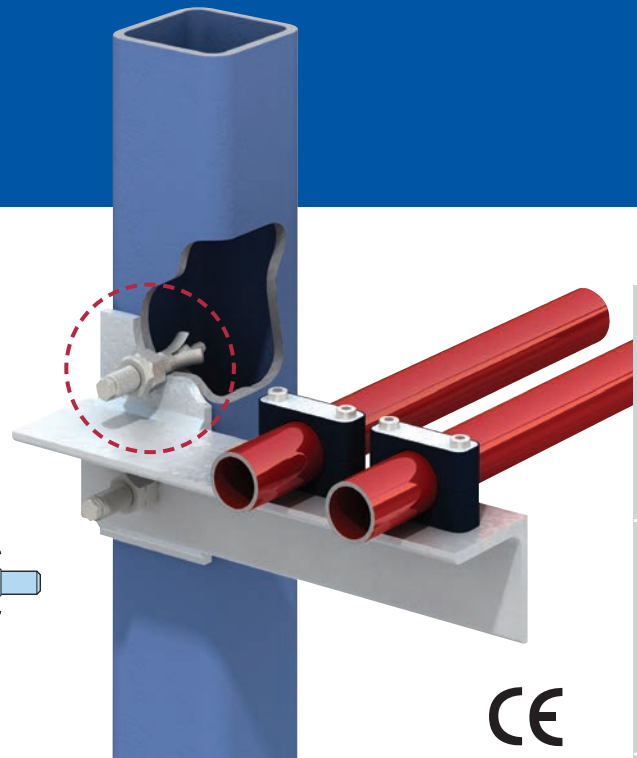
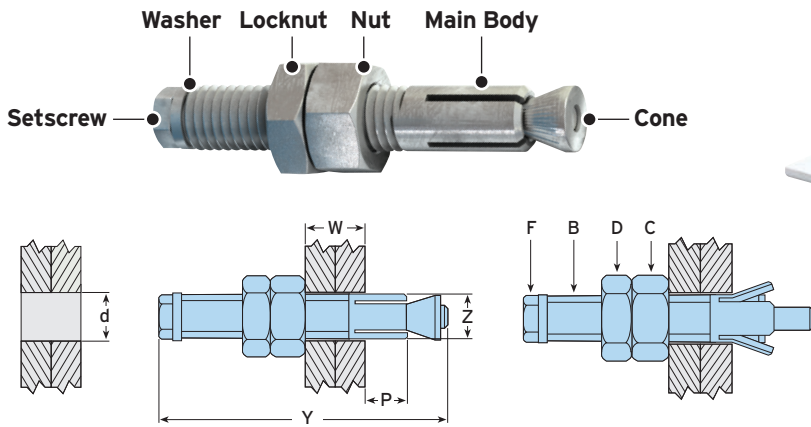


# Type LB2 - Lindibolt® 2

Self-heading bolt suitable for connecting steelwork to hollow sections where access is only available from one side. The Lindibolt uses a standard clearance hole.



Material: Steel, zinc plated. Stainless steel grade 316.

Code	Lindibolt		Hole Ø		Safe Working Loads (FOS 5:1)				Main Body (B) and Nut (C and D)			Setscrew (F)		
	Bolt Z	Length Y mm	min d mm	max d mm	Tensile kN	Single Shear kN	Clamping Length W mm	Projection P mm	Thread Z	Tight. torque Nm	A/F mm	Bolt F	Tight. torque Nm	A/F mm
LB10	M10	74	11	11.5	3.0	3.4	7 - 30	7.5 - 10	M10	20	17	M5	6	8
LB12	M12	85	13	13.5	5.0	5.0	10 - 36	9 - 12	M12	31	19	M6	11	10
LB16	M16	105	17	17.5	8.0	9.8	12 - 48	12 - 16	M16	81	24	M8	23	13
LB20	M20	128	21	21.5	14.0	15.2	14 - 60	15 - 20	M20	129	30	M10	45	17
LB24	M24	158	25	25.5	20.0	22.5	18 - 72	18 - 24	M24	203	36	M12	80	19

The safe working loads, in both tension and shear shown, are applicable to the Lindibolt only. Failure of the section, particularly on those with thin walls and a wide chord face, could occur at a lower figure and its strength should be checked by a qualified Structural Engineer.

## Lindibolt Characteristic Resistances

The values below are to be used when designing bolted connections to Eurocode 3 only, they are **not** standard safe working loads. View the Declaration of Performance (DoP No.002) at [www.Lindapter.com/About/CE](http://www.Lindapter.com/About/CE)



### Lindibolt

Product Code	Nominal Size	Tensile Ft,Rk kN	Shear Fv,Rk kN	Sleeve Material Strength N/mm <sup>2</sup>
LB10	M10	12.0	14.8	380
LB12	M12	17.7	21.4	380
LB16	M16	34.5	40.6	380
LB20	M20	54.5	64.1	380
LB24	M24	79.1	93.2	380

### Lindibolt Stainless Steel

Product Code	Nominal Size	Tensile Ft,Rk kN	Shear Fv,Rk kN	Sleeve Material Strength N/mm <sup>2</sup>
LBST10	M10	15.8	13.7	500
LBST12	M12	23.2	19.9	500
LBST16	M16	45.4	38.0	500
LBST20	M20	71.7	60.1	500
LBST24	M24	104.1	87.3	500



### How to install...

- 1) Set nut (C) at (W) plus projection (P) then tighten the locknut (D).
- 2) Align pre-drilled fixtures. Insert Lindibolt cone end first through both fixtures.
- 3) Hold nut (C) with a spanner and tighten the bolt (F). Loosen off the locknut (D) and tighten the nut (C). Secure by re-tightening the locknut (D).

