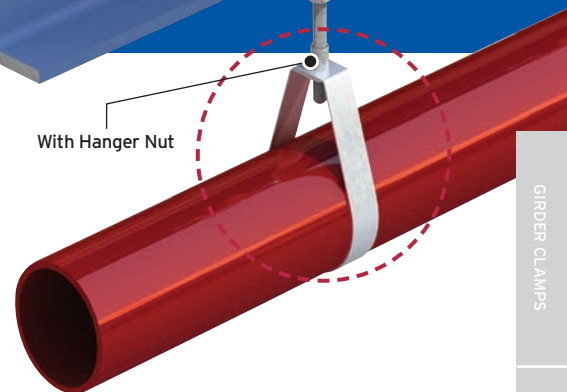


Type SH

A strap hanger with LPCB and FM approval for use in fire sprinkler installations. Supplied with or without a hanger nut. Can be used with all Lindapter flange clamps.



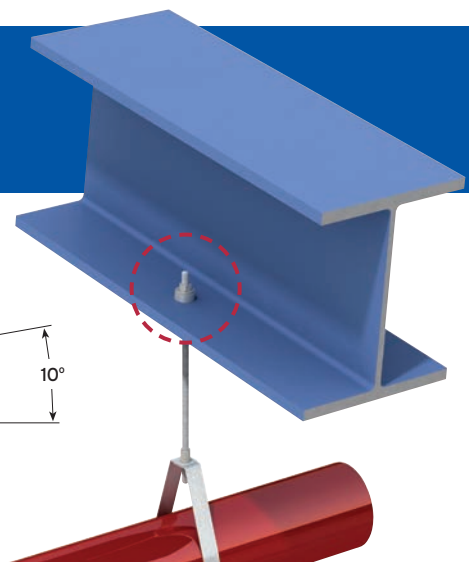
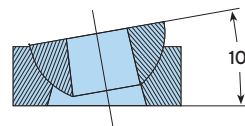
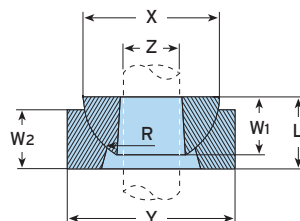
Material: Pre-galvanised strip.

WITHOUT HANGER NUT			
Code	Pipe Bore mm	Rod Z	Hole Ø mm
SH025	25	M8 or M10	11
SH032	32	M8 or M10	11
SH040	40	M8 or M10	11
SH050	50	M8 or M10	11
SH065	65	M8 or M10	11
SH080	80	M8 or M10	11
SH100	100	M8 or M10	11
SH125	125	M12	13
SH150	150	M12	13
SH200	200	M16	18

WITH HANGER NUT			
Code	Pipe Bore mm	Rod Z	Hole Ø mm
SH025N	25	M8 or M10	14
SH032N	32	M8 or M10	14
SH040N	40	M8 or M10	14
SH050N	50	M8 or M10	14
SH065N	65	M8 or M10	14
SH080N	80	M8 or M10	14
SH100N	100	M8 or M10	14
SH125N	125	M12	17
SH150N	150	M12	17
SH200N	200	M16	21.5

Type HW / HC

For vertical suspension on angled surfaces of up to 10° swing either side of the vertical.



Material: Malleable iron, zinc plated / hot dip galvanised.

Product Code			Hemispherical Washer		Hemispherical Cup		Hemispherical Washer & Cup	
Hemispherical Washer (can be used without cup)	Hemispherical Cup	Rod Z	X	W1	Y	W2	R	L
			mm	mm	mm	mm	mm	mm
HW10	HC10	M10	25	12	32	12	13	14
HW12	HC12	M12	29	12	35	12	14	16
HW16	HC16	M16	34	16	41	16	17	19
HW20	HC20	M20	44	19	54	19	22	24