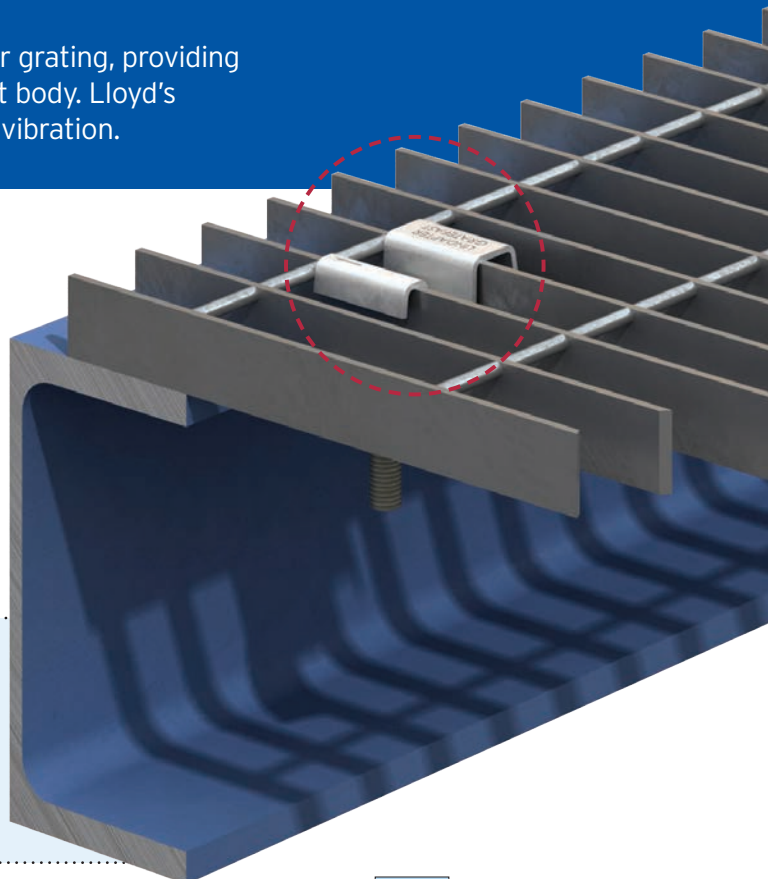
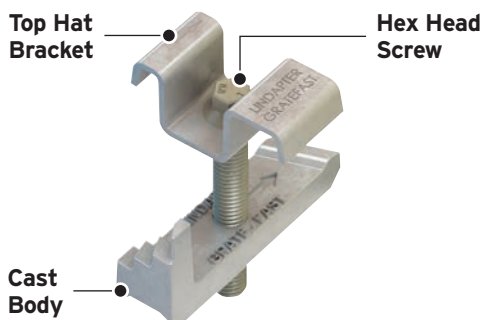


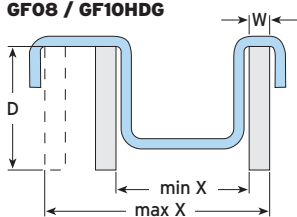
Type GF - Grate-Fast®

A high strength floor fixing for rectangular open bar grating, providing superior clamping force due to a malleable iron cast body. Lloyd's Register Type Approval for resistance to shock and vibration.

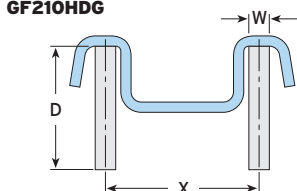


- **GF08** for GRP grating with stainless steel top hat bracket, Sheraplex coated body and socket head screw.
- **GF10HDG** is hot dip galvanised for increased corrosion resistance.
- **GF210HDG** is hot dip galvanised for use with 30mm width floor grating bars only.

GF08 / GF10HDG



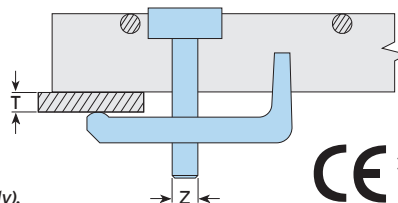
GF210HDG



Material:

Top Hat: Stainless steel grade 304 (GF08 only).
Mild Steel, hot dip galvanised (GF10HDG & GF210HDG only).

Body: Malleable iron, Sheraplex (GF08 only).
Malleable iron, hot dip galvanised (GF10HDG & GF210HDG only).



Product Code	Bolt 8.8 Z	Flange T mm	Grating Bar Depth D mm	Grating Bar Width W mm	Bar Distance X mm	Tightening Torque Nm	Across Flats mm
GF08¹⁾	M8	3 - 19	22 - 38	5 - 10	19 - 48	5	6
GF10HDG²⁾	M10	3 - 19	20 - 50	3 - 7	25 - 45	11	10
GF210HDG²⁾	M10	3 - 19	19 - 40	3 - 6.5	30	11	10

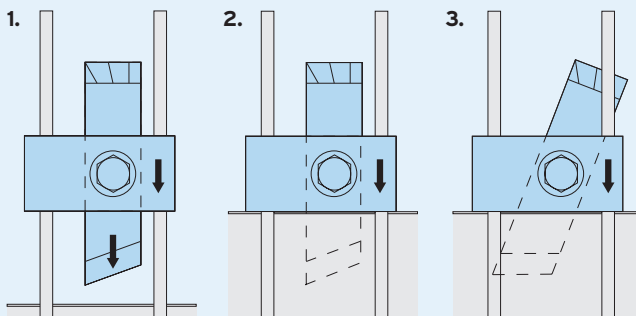
1) Supplied with socket head cap screw.
2) Supplied with hex head screw.



How to install...

▶ Watch the installation video at www.Lindapter.com

- 1) Position pre-assembled Grate-Fast with the body between the grating bars and the nose pointing towards the steelwork. The arrows on the top hat bracket should also be pointing towards the supporting steelwork and the bracket itself resting on the bearing bars.
- 2) Slide the Grate-Fast towards the steelwork until the nose fits under the beam flange. Where necessary adjust body / screw to the approximate flange thickness / grating depth.
- 3) Tighten the screw. The Grate-Fast body will automatically rotate until it locks under the bearing bar, with the nose under the flange. Tighten to the recommended torque.



For Characteristic Resistances when designing a connection to Eurocode 3, please refer to DoP No.014 on the website www.Lindapter.com/About/CE