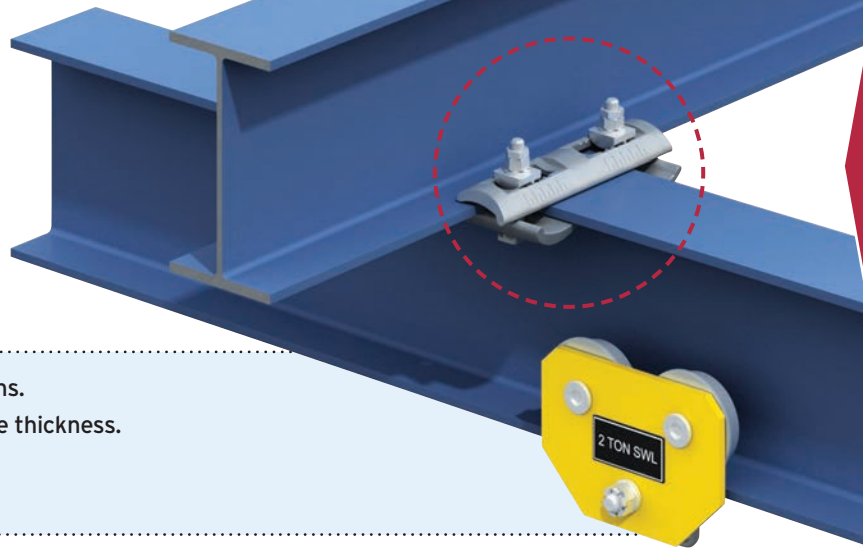
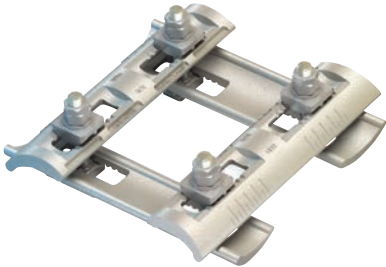
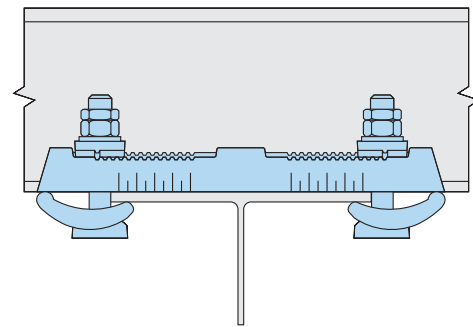
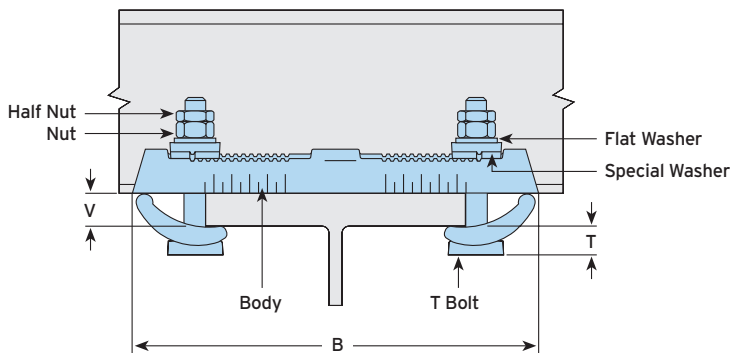


Type FC - Flush Clamp

A full connection system that adjusts to fit a variety of beam types. This pre-configured assembly does not require a location plate and is ready for assembly 'out of the box'.



- 'All-in-one' device for connecting steel sections.
- Adjustable to suit both beam width and flange thickness.
- Quick and easy to install.
- For parallel and tapered flanges up to 10°.



Material: Forged steel, zinc plated plus JS500.

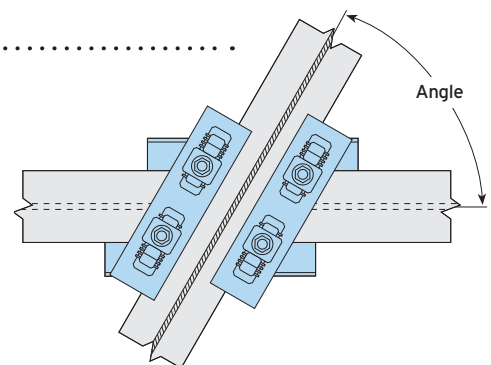


Product Code	T Bolt 8.8	Safe Working Loads (FOS 5:1)		Tightening Torque Nm	Clamping Range		Dimensions	
		Tensile / 4 Bolts kN	Slip / 4 Bolts kN		Flange Thickness V mm	Flange Width ¹⁾ mm	T mm	B mm
FC16	M16	30.0	7.5	147	5 - 19	75 - 180	22 - 27	304

¹⁾ Depending on beam connection angles (see table below).

Minimum Possible Beam Connection Angles

		Top Beam				
Bottom Beam	Flange Width	76.2mm	101.6mm	127.0mm	152.4mm	177.8mm
	76.2mm	45°	50°	55°	65°	75°
	101.6mm	50°	50°	55°	65°	75°
	127.0mm	55°	55°	55°	65°	75°
	152.4mm	65°	65°	65°	65°	75°
	177.8mm	75°	75°	75°	75°	80°



CE For Characteristic Resistances when designing a connection to Eurocode 3, please refer to DoP No.012 on the website www.Lindapter.com/About/CE