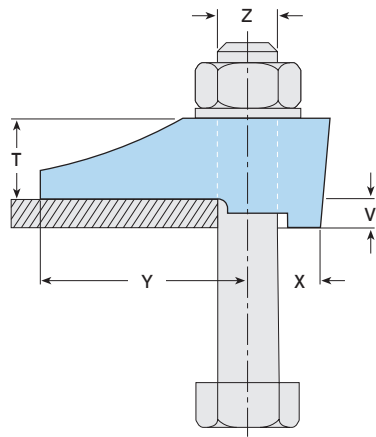
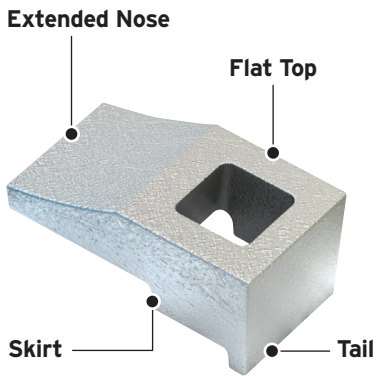
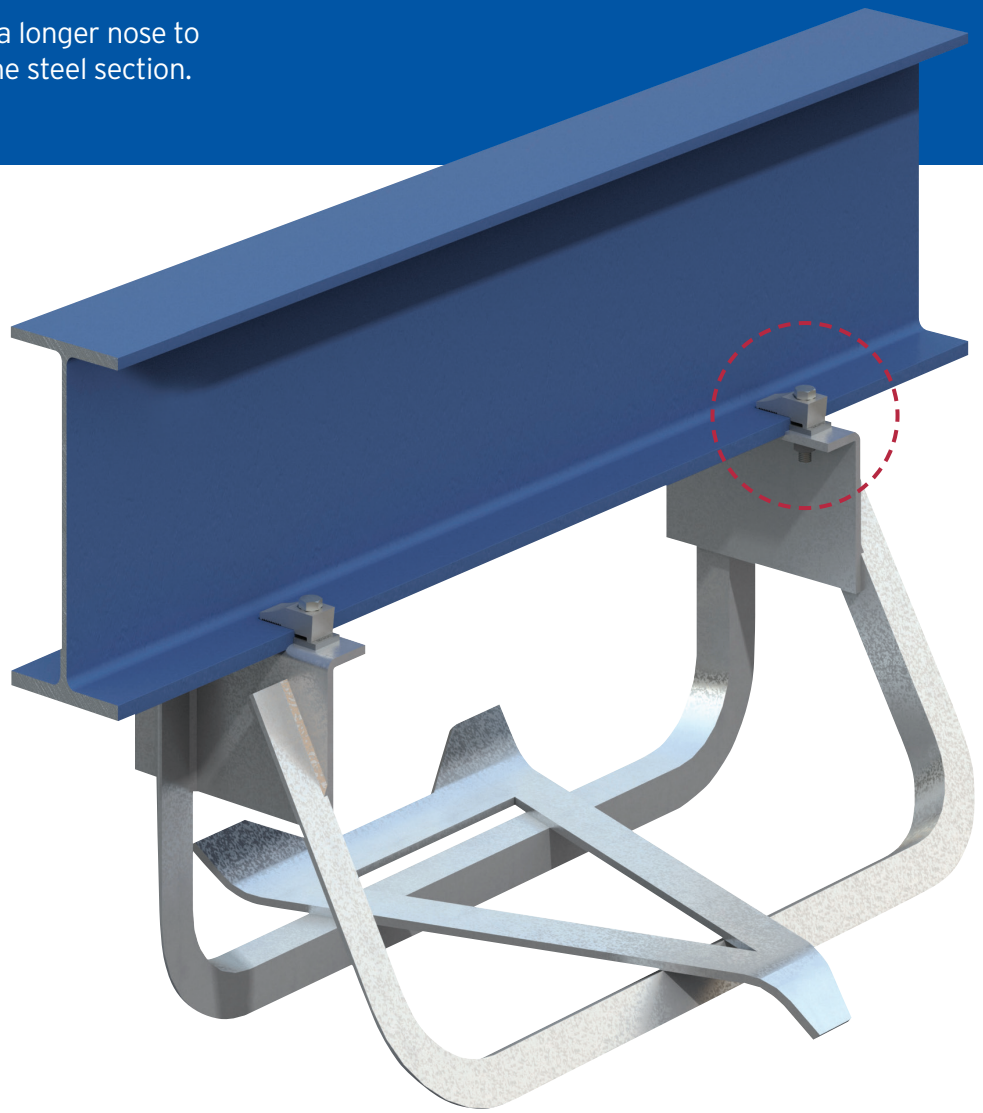


Type BSLN

A special clamp designed with a longer nose to extend the contact area with the steel section. For parallel flanges only.



Material: Malleable iron, zinc plated / hot dip galvanised.

Product Code	Bolt 8.8 Z	Safe Working Load (Factor of Safety 5:1) Tensile / 1 Bolt kN	Tightening Torque Nm	Dimensions				
				Y mm	X mm	Tail Length V mm	T mm	Width mm
BSLN12	M12	5.8	69	45.5	15.5	6	17	28
BSLN16	M16	7.3	147	44	17	11	16	32

➔ Can be used with Type CW, Type P1 short and Type P2 short packing pieces.

GIRDER CLAMPS
RAIL FIXINGS
LIFTING POINTS
HOLLO-BOLT
FLOOR FIXINGS
SUPPORT FIXINGS
DECKING FIXINGS