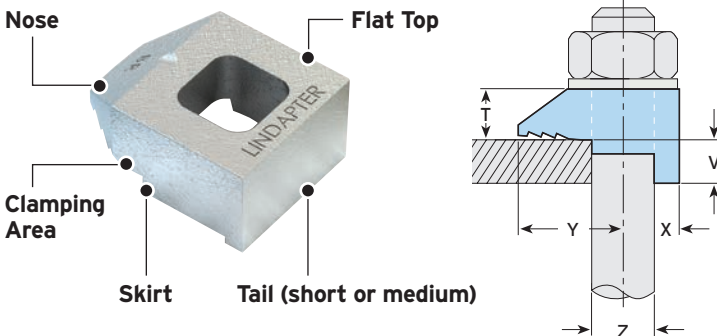


Type BR

A basic clamp for securing low speed rail or steel beams with either parallel or tapered flanges up to 8°. The tail is available in two lengths and spans slotted clearance holes.



Material: Malleable iron, zinc plated / hot dip galvanised.

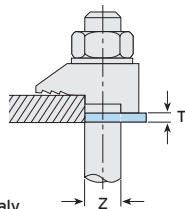
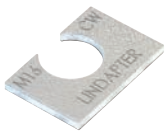
Code	Bolt 8.8 Z	Safe Working Loads (FOS 5:1)			Tightening Torque*	Dimensions					
		Tensile / 1 Bolt	Slip / 2 Bolts			Tail Length V		T	Width		
		kN	kN	Nm	Y mm	X mm	short mm	medium mm	mm	mm	
BR12	M12	5.8	0.7	69	26	13	4	6	13	29	
BR16	M16	7.3	1.5	147	30	16	6	8	16	35	
BR20	M20	14.7	3.0	285	36	19	7	10	19	42	

* Torque figures based on bolts / setscrews in an unlubricated condition. For further information on lubricated fasteners see page 70.

➔ Contact Lindapter to ensure suitability of the component for application.

Packing Pieces and Combinations for Type BR

Type CW



Mild steel, zinc plated / hot dip galv.

Product Code	Bolt Size Z	Dimension T (mm)
CW12	M12	2.5
CW16	M16	3
CW20	M20	4

Packing Combinations for Type BR

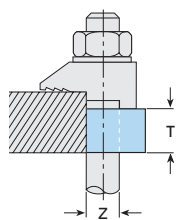
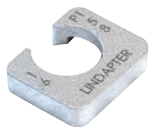
(For rails up to and including 8° slope)

➔ For thicker flanges please contact Lindapter.

Flange Thickness mm	M12				M16				M20			
	BR	CW	P1S	P2S	BR	CW	P1S	P2S	BR	CW	P1S	P2S
5	S	-	-	-	-	-	-	-	-	-	-	-
6	M	-	-	-	S	-	-	-	-	-	-	-
7	S	1	-	-	S	-	-	-	S	-	-	-
8	M	1	-	-	M	-	-	-	S	-	-	-
9	S	2	-	-	S	1	-	-	S	-	-	-
10	S	2	-	-	S	1	-	-	M	-	-	-
11	M	2	-	-	M	1	-	-	S	1	-	-
12	M	-	1	-	S	2	-	-	S	1	-	-
13	S	1	1	-	S	2	-	-	S	1	-	-
14	M	1	1	-	S	-	1	-	M	1	-	-
15	S	2	1	-	S	-	1	-	S	2	-	-
16	S	2	1	-	M	-	1	-	S	2	-	-
17	M	2	1	-	S	1	1	-	S	-	1	-
18	M	2	1	-	S	1	1	-	M	2	-	-
19	S	1	-	1	M	1	1	-	S	3	-	-
20	M	1	-	1	S	2	1	-	M	-	1	-
21	M	1	-	1	S	2	1	-	M	-	1	-
22	S	-	1	1	S	-	-	1	M	3	-	-
23	M	2	-	1	M	-	-	1	M	3	-	-
24	M	-	1	1	M	-	-	1	M	1	1	-
25	S	1	1	1	S	1	-	1	S	2	1	-
26	M	1	1	1	S	1	-	1	S	2	1	-
27	S	2	1	1	M	1	-	1	S	-	-	1
28	S	-	-	2	S	2	-	1	M	2	1	-
29	S	-	-	2	S	2	-	1	M	2	1	-
30	M	-	-	2	M	2	-	1	M	-	-	1
31	S	1	-	2	M	2	-	1	S	1	-	1

S = BR short M = BR medium CW = Type CW P1S = P1 short P2S = P2 short

Type P1 short / Type P2 short



Mild steel, malleable iron, zinc plated / hot dip galv.

Product Code	Bolt Size Z	Dimension T (mm)
P1S12	M12	6
P1S16	M16	8
P1S20	M20	10
P2S12	M12	12
P2S16	M16	16
P2S20	M20	20