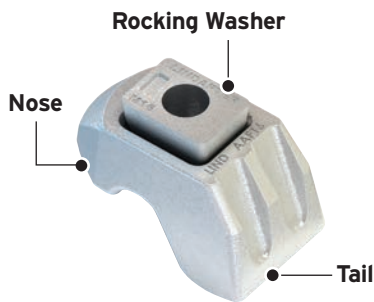
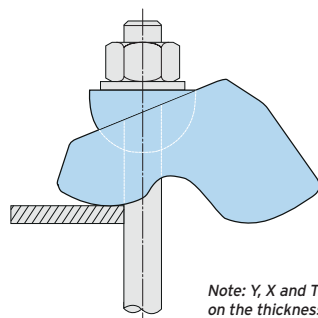
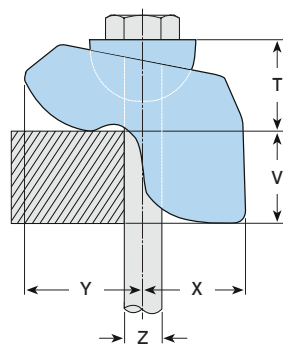


# Type AAF

This adjustable High Slip Resistance (HSR) clamp is easy to install and provides high load capacities even in low temperature environments. Hot dip galvanised as standard.



**HIGH SLIP RESISTANCE**



Note: Y, X and T will vary depending on the thickness of V.

- High slip resistance for tensile, frictional and combined load applications.
- Self-adjusts to suit flange thicknesses 6mm to 40mm (size M20).
- Safe working loads apply in temperatures as low as -60°C.
- Suitable for parallel and tapered flanges up to 10°.
- The tail spans slotted clearance holes.

- Packings are available to increase the clamping range, see page 16.
- Location plate / end plate details can be found on page 17.

Material: Low temperature SG iron, hot dip galvanised.



Product Code	Bolt		Safe Working Loads			Tightening Torque*	Clamping Range <sup>3)</sup> V	Dimensions			
	Size Z	Property Class <sup>4)</sup>	Tensile / 1 Bolt (FOS 4.5:1)	Slip <sup>1)</sup> / 2 Bolts (FOS 2:1)				Y	X	T	Width
				Painted Steelwork <sup>2)</sup>	Galvanised Steelwork						
			kN	kN	kN	Nm	mm	mm	mm	mm	mm
AAF12	M12	8.8	8.5	3.4	3.9	90	5 - 26	25 - 34	27 - 49	26 - 35	41
AAF16	M16	8.8	16.0	8.0	10.0	240	6 - 30	34 - 50	31 - 58	35 - 46	56
AAF20	M20	8.8	26.3	13.0	16.0	470	6 - 40	48 - 78	49 - 64	52 - 64	77
AAF12	M12	10.9	10.0	4.0	5.2	130	5 - 26	25 - 34	27 - 49	26 - 35	41
AAF16	M16	10.9	19.5	11.0	12.0	300	6 - 30	34 - 50	31 - 58	35 - 46	56
AAF20	M20	10.9	30.0	20.0	25.0	647	6 - 40	48 - 78	49 - 64	52 - 64	77

1) Slip Resistance figures are based on Type AAF and Location Plates in hot dip galvanised finish calculated against slip (movement exceeding 0.1mm).  
 2) Shot blast and painted steelwork.  
 3) For thicker flanges, packing pieces AFP1 and AFP2 are available (for AAF12 and AAF16 only) or packing piece AAP3 (for AAF20 only). See page 16.  
 4) For ease of installation when using 10.9 bolts Lindapter recommends using fastener assemblies to EN 14399-1.

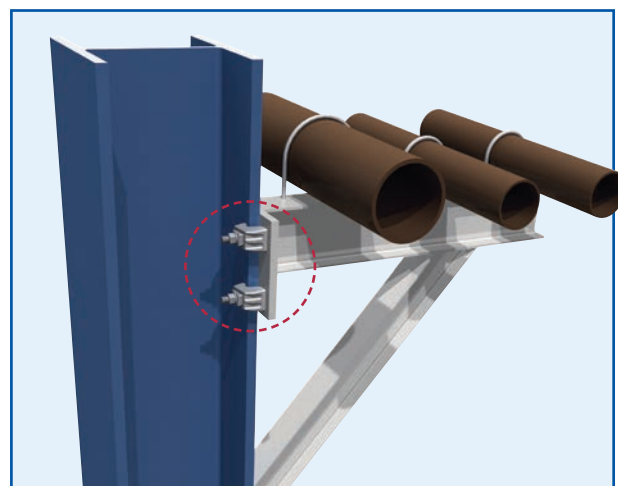
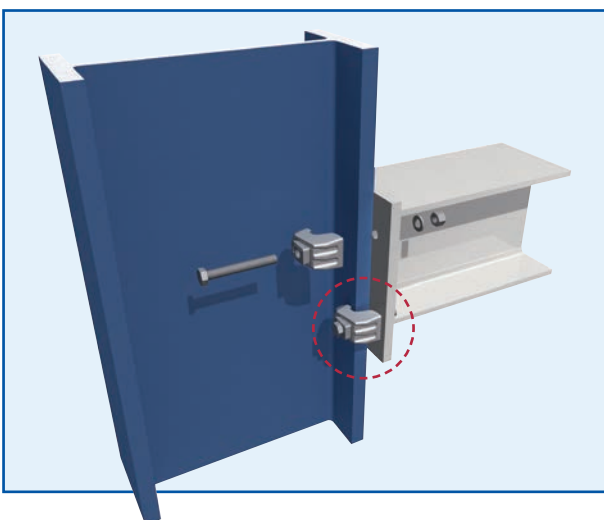
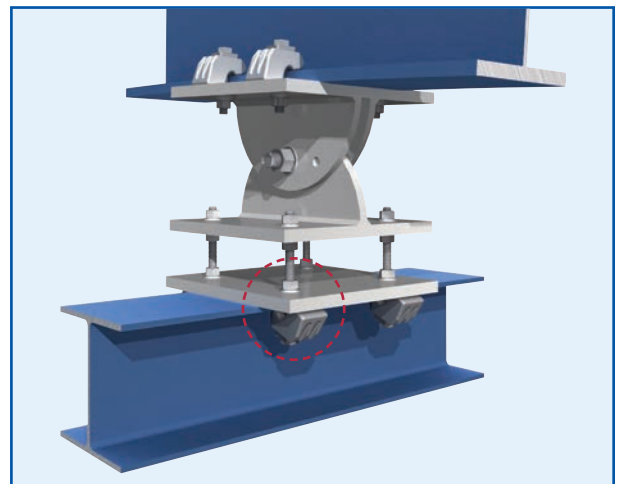
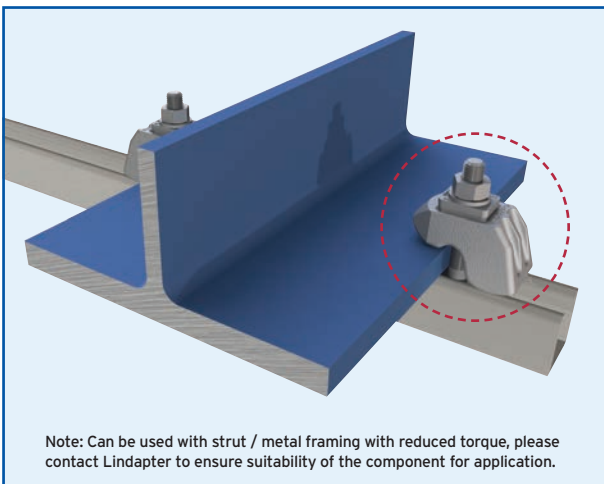
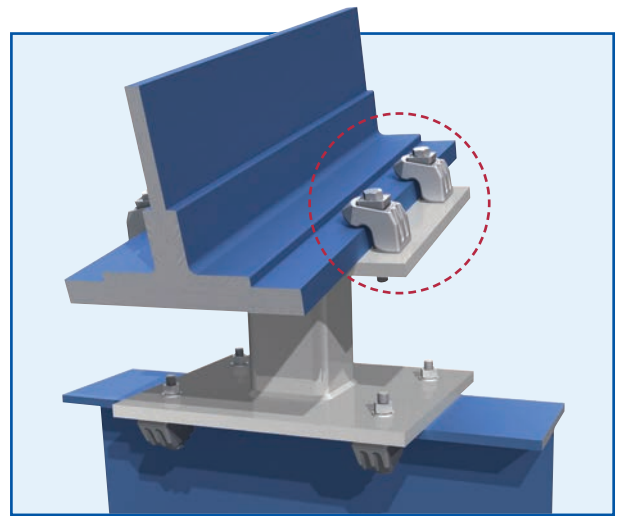
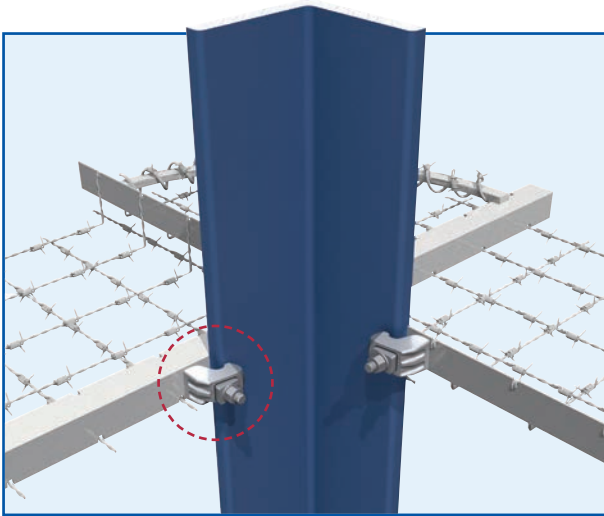
\* Torque figures based on bolts / setscrews in an unlubricated condition. For further information on lubricated fasteners see page 70.

CE For Characteristic Resistances when designing a connection to Eurocode 3, please refer to DoP No.005 on the website [www.Lindapter.com/About/CE](http://www.Lindapter.com/About/CE)

GIRDER CLAMPS  
RAIL FIXINGS  
LIFTING POINTS  
HOLLO-BOLT  
FLOOR FIXINGS  
SUPPORT FIXINGS  
DECKING FIXINGS

## Typical Applications for the Type AAF

The Type AAF is one of three products in Lindapter's range of High Slip Resistance (HSR) clamps, designed specifically for frictional applications and high tensile loading. This heavy duty clamp is used in many diverse industries and situations, here are some application examples:

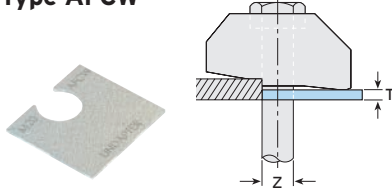


# Packing Pieces for Types AF and AAF

Packing pieces are used to increase the clamping range to suit a range of flange thicknesses. The Type AF is available with two different tail lengths (short and medium) and the correct combination of packing pieces should be used, see the table at the bottom of the page.

## Packing Pieces

### Type AFCW



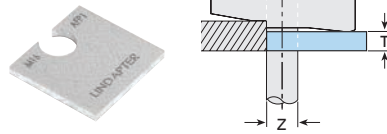
Mild steel, hot dip galvanised.

Product Code	Bolt Size Z	Dimension T (mm)
AF12CW*	M12	2
AF16CW*	M16	2
AF20CW	M20	2

\* Also compatible with Type AAF clamp.

Note: The AFCW has a slight bend along its centre line which flattens out during installation.

### Type AFP1 / AFP2 / AAFP3



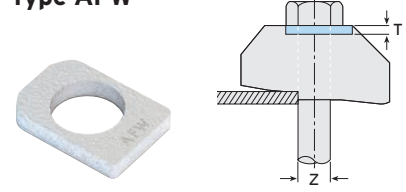
Mild steel, hot dip galvanised.

Product Code	Bolt Size Z	Dimension T (mm)
AF12P1*	M12	5
AF16P1*	M16	5
AF20P1	M20	5
AF24P1	M24	5
AF12P2*	M12	10
AF16P2*	M16	10
AF20P2	M20	10
AF24P2	M24	10
AAFP2P3*	M20	20

\* Also compatible with Type AAF clamp.

## Also Available

### Type AFW



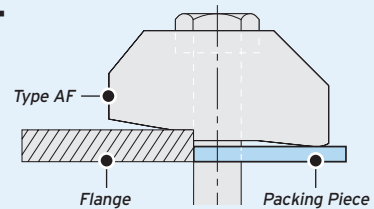
SG iron, mild steel, hot dip galvanised.

Product Code	Bolt Size Z	Dimension T (mm)
AFW12	M12	5
AFW16	M16	5
AFW20	M20	6
AFW24	M24	10

Note: The Type AFW is used to fill the recess in the Type AF to convert it into a flat top clamp to enable the bolt head or nut to be rotated. The Type AFW is also required when using pre-loadable bolts to BS EN 14399 due to their larger hexagon heads.

## Tail Length / Packing Piece Combinations for Type AF

Choose the correct combination for your configuration using the table below. Please note these calculations are for **parallel flanges and beams up to 10° slopes only**. For example, a M20 Type AF on a 40mm flange requires 1 x Type AF medium tail (M), 1 x Type AFCW and 2 x Type AFP2.



➔ For thicker flanges contact Lindapter.

Flange Thick. mm	M12				M16				M20				M24			
	AF	AFCW	AFP1	AFP2	AF	AFCW	AFP1	AFP2	AF	AFCW	AFP1	AFP2	AF	AFP1	AFP2	
5	S	-	-	-	-	-	-	-	-	-	-	-	-	-	-	
6	S	-	-	-	-	-	-	-	-	-	-	-	-	-	-	
7	S	1	-	-	S	-	-	-	-	-	-	-	-	-	-	
8	S	1	-	-	S	-	-	-	-	-	-	-	-	-	-	
9	S	2	-	-	S	-	-	-	S	-	-	-	-	-	-	
10	S	-	1	-	S	1	-	-	S	-	-	-	-	-	-	
11	S	3	-	-	S	1	-	-	S	-	-	-	-	-	-	
12	S	1	1	-	S	2	-	-	S	1	-	-	S	-	-	
13	M	-	-	-	S	-	1	-	S	1	-	-	S	-	-	
14	M	1	-	-	S	3	-	-	S	2	-	-	S	-	-	
15	S	-	-	1	M	-	-	-	S	-	1	-	S	-	-	
16	M	2	-	-	M	-	-	-	S	3	-	-	S	-	-	
17	M	-	1	-	M	1	-	-	M	-	-	-	S	-	-	
18	M	-	1	-	S	-	-	1	M	-	-	-	S	1	-	
19	M	1	1	-	M	-	1	-	M	-	-	-	S	1	-	
20	S	-	1	1	M	-	1	-	M	1	-	-	S	1	-	
21	M	2	1	-	M	-	1	-	M	1	-	-	S	1	-	
22	M	2	1	-	M	1	1	-	M	2	-	-	S	1	-	
23	M	-	-	1	M	1	1	-	M	-	1	-	S	-	1	
24	M	1	-	1	M	-	-	1	M	1	1	-	S	-	1	
25	S	-	-	2	M	-	-	1	M	1	1	-	S	-	1	
26	M	2	-	1	M	-	-	1	S	1	1	1	S	-	1	
27	M	2	-	1	M	1	-	1	S	1	1	1	M	-	-	
28	M	-	1	1	S	-	-	2	M	-	-	1	M	-	-	
29	M	1	1	1	M	-	1	1	M	-	1	1	M	-	-	
30	S	-	1	2	M	-	1	1	M	1	-	1	M	-	-	
31	S	-	1	2	M	-	1	1	M	1	-	1	M	-	-	
32	M	-	-	2	M	1	1	1	M	-	1	1	M	1	-	
33	M	-	-	2	M	1	1	1	M	-	1	1	M	1	-	
34	M	1	-	2	M	-	-	2	M	-	1	1	M	1	-	
35	S	-	-	3	M	-	-	2	S	-	1	2	M	1	-	
36	S	-	-	3	M	-	-	2	M	1	1	1	M	1	-	
37	M	-	1	2	M	1	-	2	M	-	-	2	M	1	-	
38	M	-	1	2	S	-	-	3	M	-	-	2	M	-	1	
39	M	1	1	2	M	-	1	2	M	-	-	2	M	-	1	
40	S	-	1	3	M	-	1	2	M	1	-	2	M	-	1	
41	S	-	1	3	M	-	1	2	M	1	-	2	M	-	1	
42	M	-	-	3	M	1	1	2	M	-	1	2	M	-	1	
43	M	-	-	3	S	-	1	3	M	-	1	2	M	1	1	
44	M	1	-	3	M	-	-	3	M	-	1	2	M	1	1	
45	S	-	-	4	M	-	-	3	M	1	1	2	M	1	1	
46	S	-	-	4	M	-	-	3	M	1	1	2	M	1	1	
47	M	-	1	3	M	1	-	3	M	-	-	3	M	1	1	
48	M	-	1	3	S	-	-	4	M	-	-	3	M	-	2	
49	S	-	1	4	M	-	1	3	M	-	-	3	M	-	2	
50	S	-	1	4	M	-	1	3	M	1	-	3	M	-	2	

AF = Type AF | AFCW = Type AFCW | AFP1 = Type AFP1 | AFP2 = Type AFP2 | S = AF short | M = AF medium

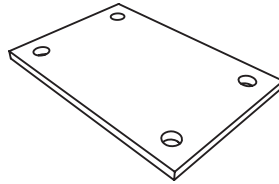
## Location and End Plates for Types AF, AAF and CF

These plates ensure the clamps and bolts are located in the correct position relative to the supporting steelwork. If you would like help choosing a suitable plate, please contact Lindapter.

### Location Plate

#### What is it?

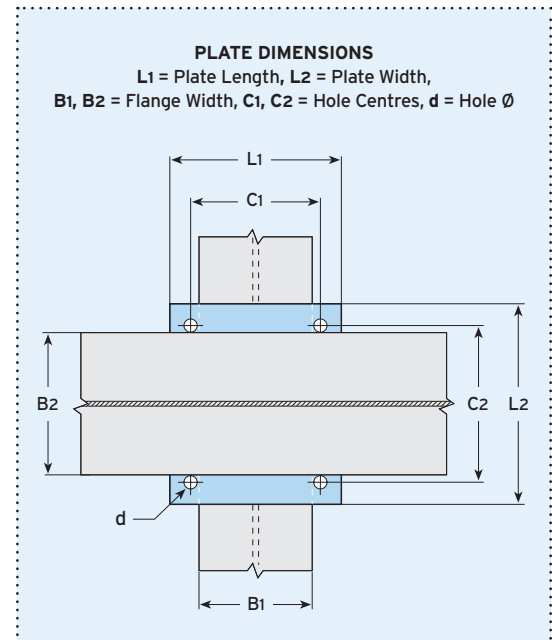
Location plates are simple fabricated items designed to sit between the two sections to be clamped together to ensure the bolts are fixed at the correct centres.



Material: Structural steel grade S355 JR, JO or J2.  
For other grades contact Lindapter.

Bolt Size	Hole Ø d mm	Plate Thickness		Hole Centres C1 mm	Length / Width min L1 mm	Hole Centres C2 mm	Length / Width min L2 mm
		8.8 mm	10.9 mm				
M12	14	10	12	B <sub>1</sub> + 14	B <sub>1</sub> + 90	B <sub>2</sub> + 14	B <sub>2</sub> + 90
M16	18	15	15	B <sub>1</sub> + 18	B <sub>1</sub> + 110	B <sub>2</sub> + 18	B <sub>2</sub> + 110
M20	22	20	20	B <sub>1</sub> + 22	B <sub>1</sub> + 150*	B <sub>2</sub> + 22	B <sub>2</sub> + 150*
M24	26	25	25	B <sub>1</sub> + 26	B <sub>1</sub> + 180	B <sub>2</sub> + 26	B <sub>2</sub> + 180

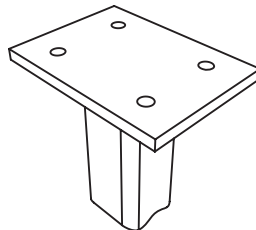
\* Plate width for Type AF size M20 can be reduced to 130mm if required.



### End Plate

#### What is it?

End plates are simple fabricated items that are pre-welded to support frames, bracket or sections, allowing connection to the supporting structure with standard Lindapter clamps.

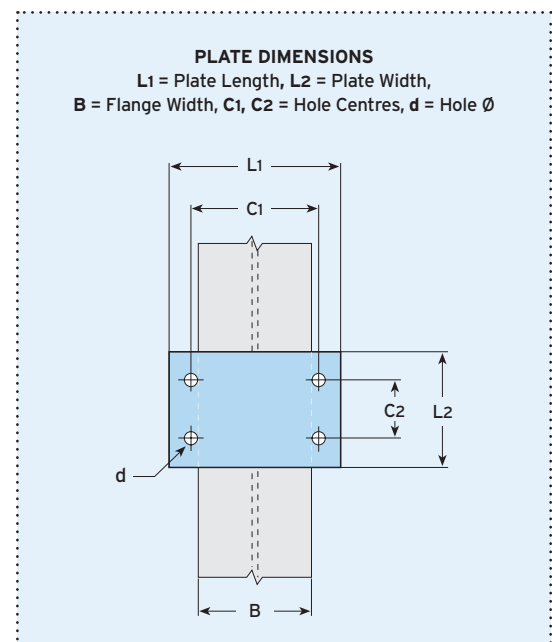


Material: Structural steel grade S355 JR, JO or J2.  
For other grades contact Lindapter.

Bolt Size	Hole Ø d mm	Plate Thickness <sup>1)</sup>		Hole Centres C1 mm	Length min L1 mm	Hole Centres min C2 mm	Width min L2 mm
		8.8 mm	10.9 mm				
M12	14	15	20	B + 14	B + 90	80	C <sub>2</sub> + 80
M16	18	20	25	B + 18	B + 110	100	C <sub>2</sub> + 100
M20	22	25	25	B + 22	B + 150*	180	C <sub>2</sub> + 180
M24	26	30	30	B + 26	B + 180	200	C <sub>2</sub> + 200

\* Plate width for Type AF size M20 can be reduced to 130 if required.

1) Depending on the type of connection and associated end plate use, the thickness may need to be modified to comply with accepted local design codes.



- To calculate the bolt length, add up the total distance that the bolt will pass through, plus half of the bolt diameter. Then round up the total to the nearest available bolt length. An example can be found on page 6.