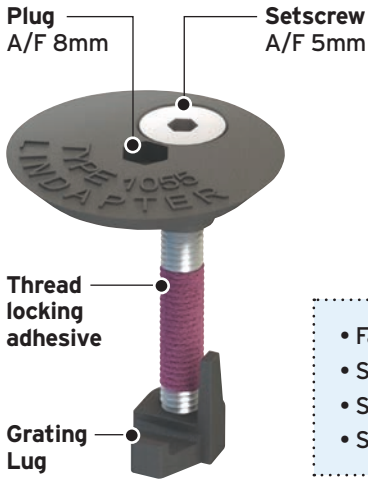
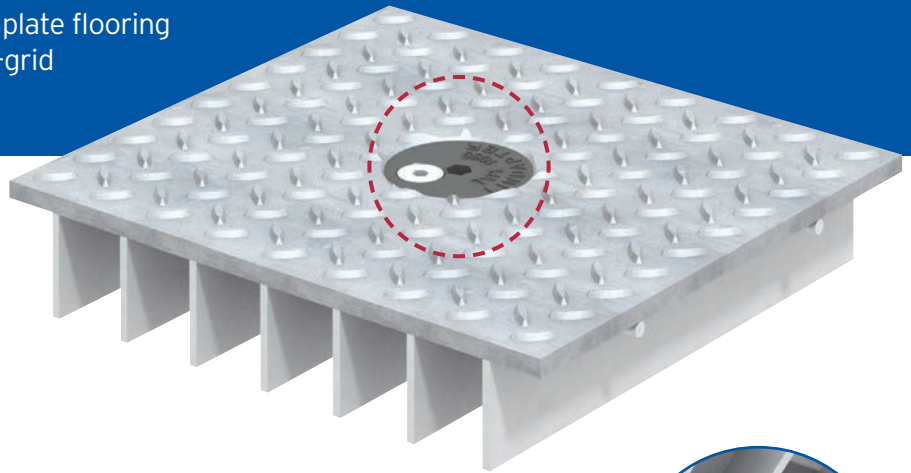
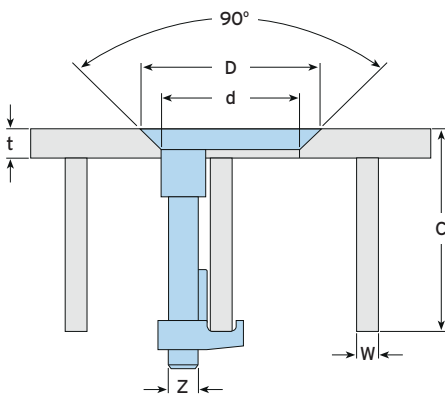
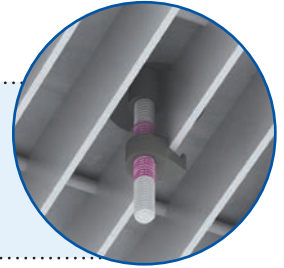


## Type 1055

This unique solution enables solid plate flooring to be fitted to open-mesh or open-grid flooring using simple hand tools.



- Fast installation from above, no need for expensive scaffolding.
- Stainless steel for high corrosion resistance.
- Superior clamping force from high quality castings.
- Safely retrofit without welding, no need for hot work permits.

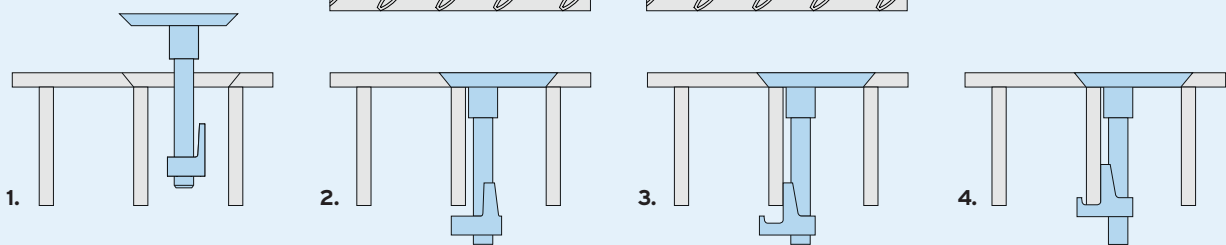


Material: Cast stainless steel, self colour.



Product Code	Bolt A4-70 Z	Floorplate Thickness t mm	Clamping Range C mm	Grating Bar Width W mm	Hole $\varnothing$ d mm	Counter-sunk $\varnothing$ D mm	Setscrew	
							Tight. Torque Nm	Hex. Key mm
<b>FG1055</b>	M8	min. 6	35 - 56	3 - 8	40	50	11	5

### How to install...



Watch the installation video at [www.Lindapter.com](http://www.Lindapter.com)

- 1) Insert the pre-assembled Type 1055 into the countersunk hole between the grating bars.
- 2) Use an 8mm hexagon key to rotate the plug anti-clockwise until the underside of the plug locates against the grating bar.
- 3) Use a 5mm hexagon key to rotate the countersunk setscrew clockwise until the grating lug makes contact with the grating bar.
- 4) Tighten the setscrew to 11Nm; the grating lug will be drawn up the screw and will activate the thread locking adhesive.



For Characteristic Resistances when designing a connection to Eurocode 3, please refer to DoP No.015 on the website [www.Lindapter.com/About/CE](http://www.Lindapter.com/About/CE)